

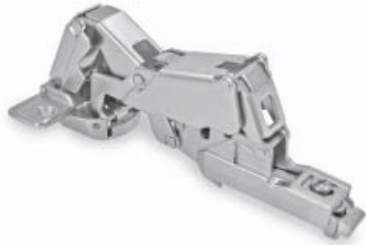
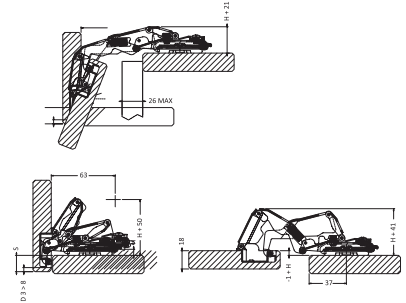
Self Closing Hinges Opening 180°

寸15 180度鉸鍊



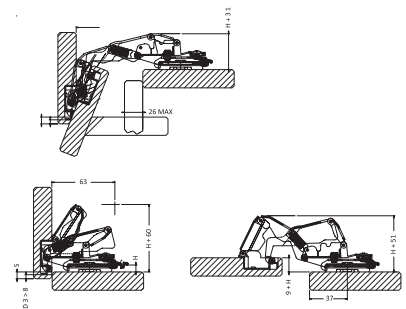
三代6分180°

- Clip on
- Hole distance-52mm
- Overlay



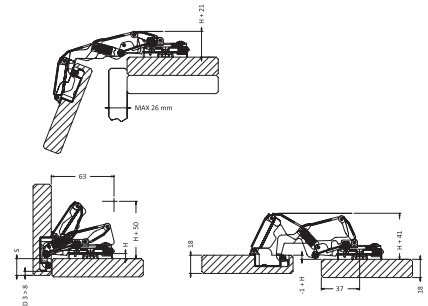
三代3分180°

- Clip on
- Hole distance 52mm
- Half overlay (medium crank)



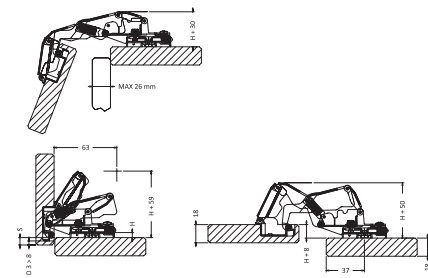
二代6分180°

- Slide on
- Full overlay (straight crank)



二代3分180°

- Slide on
- Half overlay (medium crank)



H	D	3	4	5	6	7	8
4	17	18	19	20	21	22	
5	16	17	18	19	20	21	
6	15	16	17	18	19	20	
7	14	15	16	17	18	19	
8	13	14	15	16	17	18	
9	12	13	14	15	16	17	
10	11	12	13	14	15	16	

$H = 18 + D - S$

三代6分

H	D	3	4	5	6	7	8
4	9	10	11	12	13	14	
5	8	9	10	11	12	13	
6	7	8	9	10	11	12	
7	6	7	8	9	10	11	
8	5	6	7	8	9	10	
9	4	5	6	7	8	9	
10	3	4	5	6	7	8	

$H = 10 + D - S$

三代3分

H	D	3	4	5	6	7	8
3	18	19	20	21	22	23	
4	17	18	19	20	21	22	
5	16	17	18	19	20	21	
6	15	16	17	18	19	20	
7	14	15	16	17	18	19	
8	13	14	15	16	17	18	
9	12	13	14	15	16	17	
10	11	12	13	14	15	16	

$H = 18 + D - S$

二代6分

H	D	3	4	5	6	7	8
3	8	9	10	11	12	13	
4	7	8	9	10	11	12	
5	6	7	8	9	10	11	
6	5	6	7	8	9	10	
7	4	5	6	7	8	9	
8	3	4	5	6	7	8	
9	2	3	4	5	6	7	
10	1	2	3	4	5	6	
13	-1	0	1	2	3		
15		-1	0	1			

$H = 8 + D - S$

二代3分