

Self Closing Hinges Opening 90°

寸15二代90度鉸鍊



二代6分90°

- Slide on
- Hole distance 52mm
- Full overlay(straight crank)

D	H	3	4	5	6	7	8
3		18	19	20	21	22	23
4		17	18	19	20	21	22
5		16	17	18	19	20	21
6		15	16	17	18	19	20
7		14	15	16	17	18	19
8		13	14	15	16	17	18
9		12	13	14	15	16	17
10		11	12	13	14	15	16

$$H = 18 + D - S$$



二代3分90°

- Slide on
- Hole distance 52mm
- Half overlay(medium crank)

D	H	3	4	5	6	7	8
3		8	9	10	11	12	13
4		7	8	9	10	11	12
5		6	7	8	9	10	11
6		5	6	7	8	9	10
7		4	5	6	7	8	9
8		3	4	5	6	7	8
9		2	3	4	5	6	7
10		1	2	3	4	5	6

$$H = 8 + D - S$$

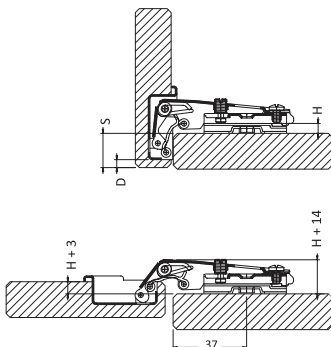


二代入柱90°

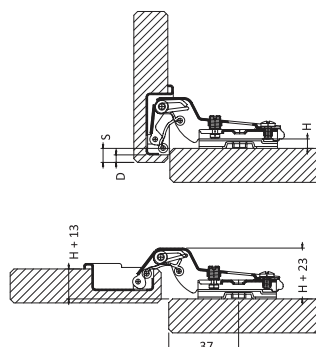
- Clip on
- Hole distance 52mm
- Inset(tall crank)

D	H	3	4	5	6	7	8
3		0	1	2	3	4	5
4		+1	0	1	2	3	4
5		+2	+1	0	1	2	3
6			+2	+1	0	1	2
7				+2	+1	0	1
8					+2	+1	0
9							
10							

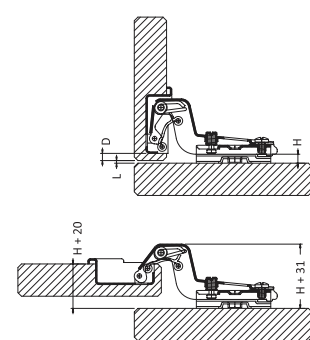
$$H = 0 + D + L$$



二代6分



二代3分



二代入柱