

Self Closing Hinges Glass Door

玻璃鉸鍊



玻璃鉸鍊6分 Ø26mm

- Self closing hinges for glass door
- Overlay

D	H	2	3	4	5	6	7	8	9	10
3		15	14	13	12	11	10	9	8	7
4		16	15	14	13	12	11	10	9	8
5		17	16	15	14	13	12	11	10	9

$$H = 14 + D - S$$



玻璃鉸鍊3分 Ø26mm

- Self closing hinges for glass door
- Half overlay

D	H	2	3	4	5	6	7	8	9	10
3		5	4	3	2	1	0	-1	-2	
4		6	5	4	3	2	1	0	-1	
5		7	6	5	4	3	2	1	0	

$$H = 4 + D - S$$



玻璃鉸鍊入柱 Ø26mm

- Self closing hinges for glass door
- Inset

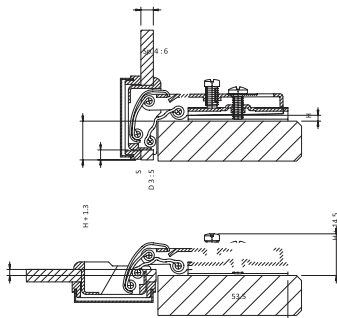
D	H	2
3		-2
4		-1
5		0

$$H = 3 + D + L$$

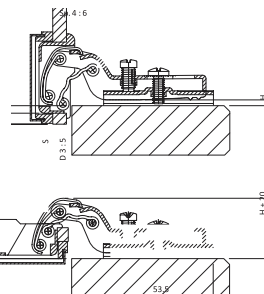
COVER 面蓋



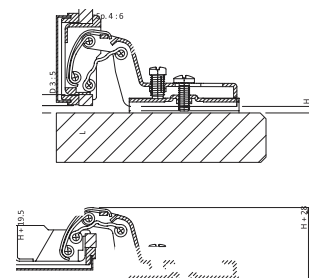
圓型 / 半圓 · 金色 / 亮銀



玻璃6分



玻璃3分



玻璃入柱